

# SPBMW6-TG25U-B



Defrost By  
Time



Defrost By  
Weight



Direct  
Access  
Menu



25L



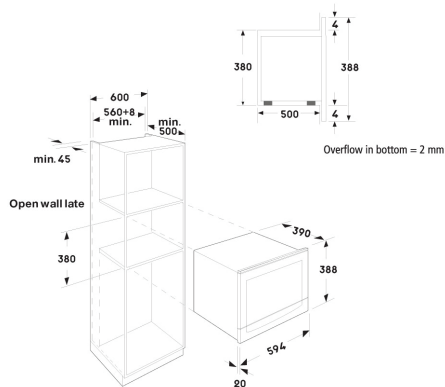
Easy  
Installation

**SUPERCHEF**  
MADE IN ITALY



## Microwave with Grill Built-in Cooking

25L Capacity  
Touch Control  
Black Frameless, Stainless Steel Cavity  
Convection Power: 2500W  
5 Microwave Power Levels  
3-in-1 Functions  
10 Auto Menus  
Kitchen timer  
Defrost by weight / time  
Cooking end signal  
Child safety lock  
Full glass black face  
VDE plug, 230V-50Hz



## External Dimensions

- ↑ H 388 mm
- W 595 mm

