

F54 S4



LED



Integra



Perimeter
extraction



Stop Delay
Timer

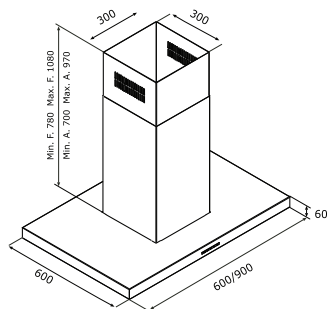


Fresh Air



90cm Island Hood Cooker Hoods

Max air flow:	650 m3/h
IEC air flow:	626 m3/h
Control:	Soft push button 4 speeds
Lamps:	4x2,1W Led/4x10W Halogen
Finish:	Stainless steel
	Washable metallic grease filters. Charcoal filters for recirculation mode



F54 IX/A/90

External Dimensions

- ➊ H 600 mm
- ➋ W 900 mm

